



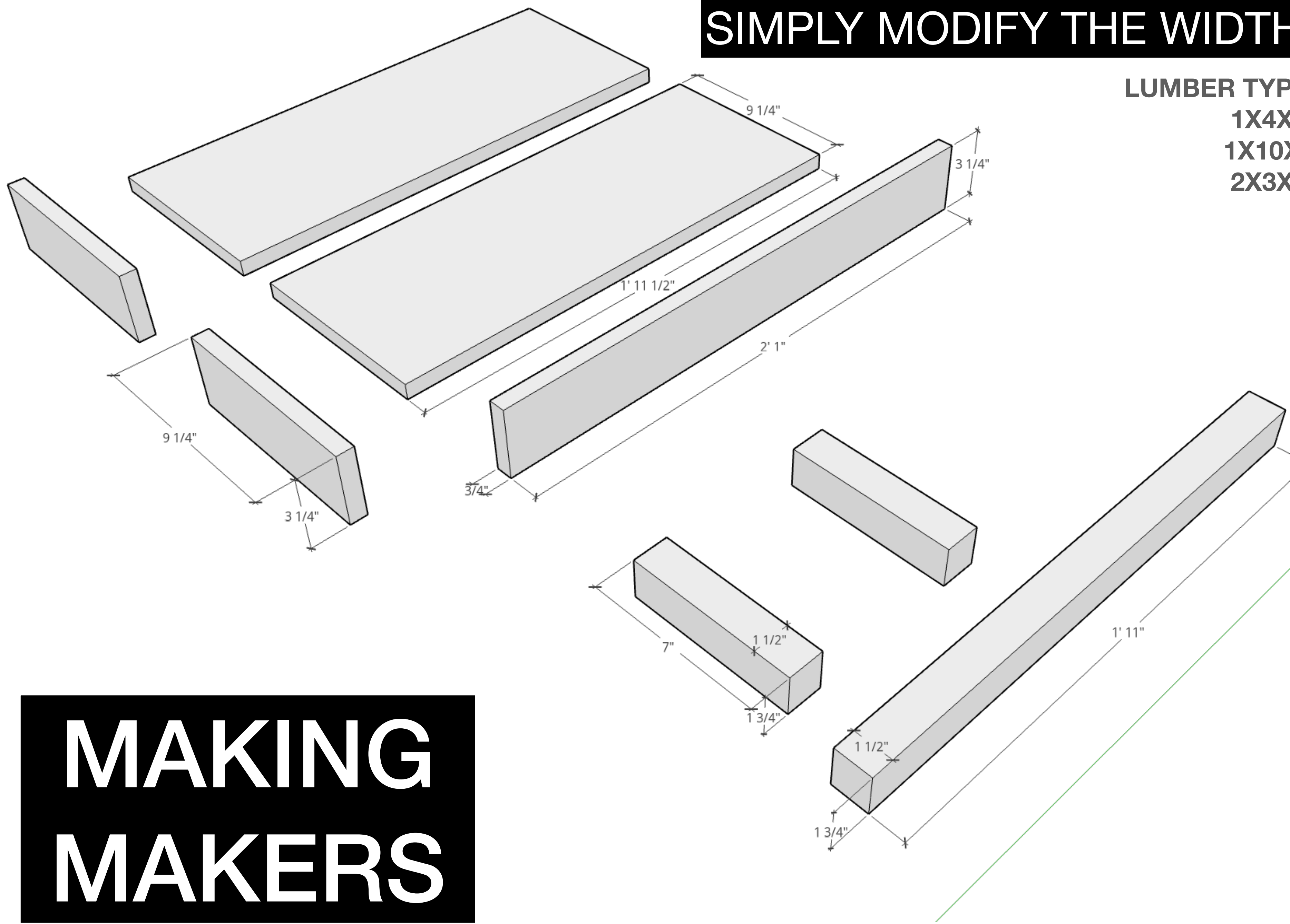
**MAKING
MAKERS**

**SIMPLE
PLANS**

**DIY
FLOATING
SHELVES**



**THIS EXAMPLE IS FOR 25" FLOATING SHELVES
SIMPLY MODIFY THE WIDTH FOR YOUR PROJECT**



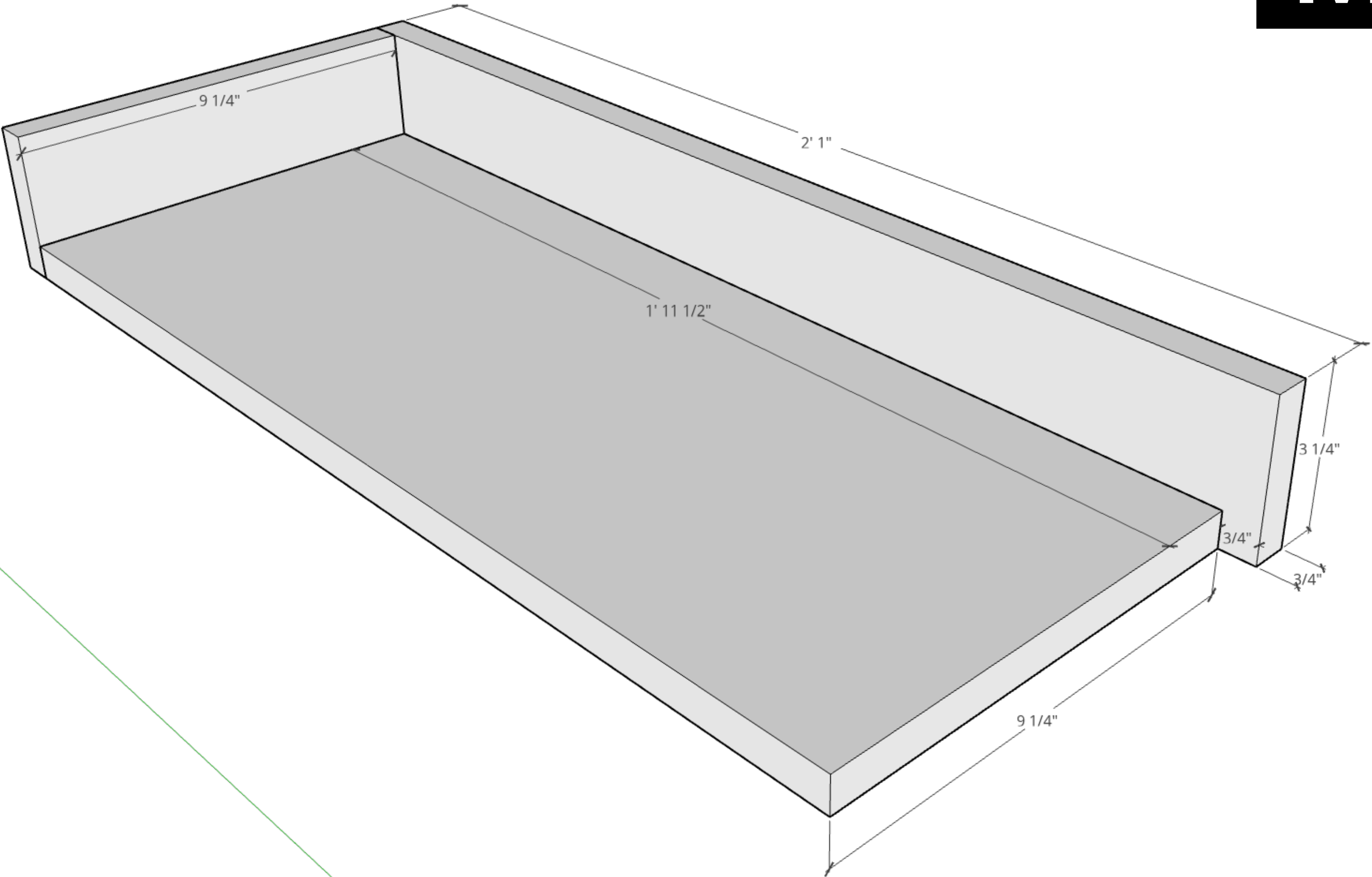
LUMBER TYPE TO BUY
1X4X8
1X10X8
2X3X8

**MAKING
MAKERS**

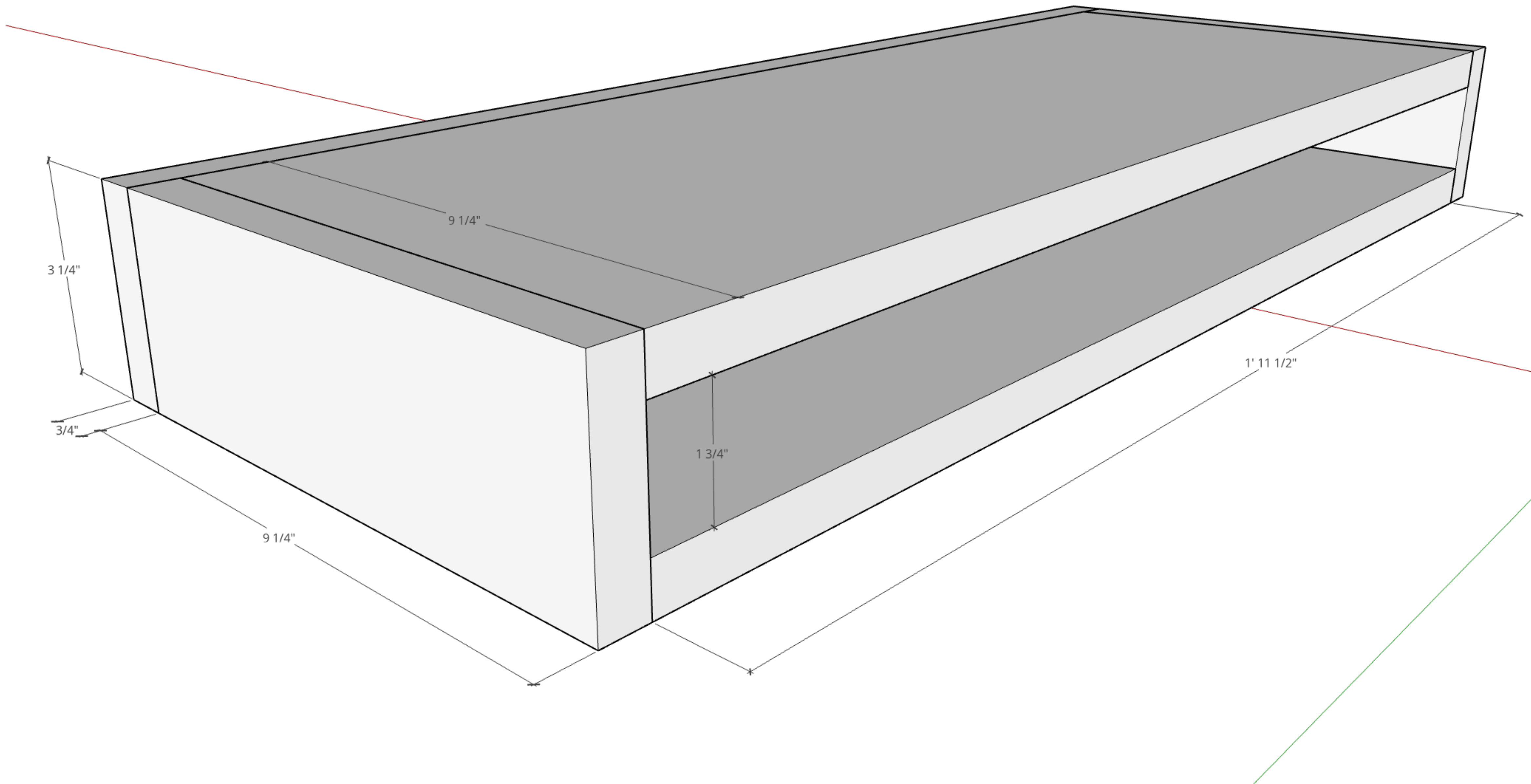
**BE SURE TO
WATCH BUILD
VIDEO
BEFORE
STARTING
PROJECT**

MAKING MAKERS

SIDE VIEW



COMPLETED VIEW



WALL MOUNT VIEW

TIP: GIVE YOURSELF A LITTLE WIGGLE ROOM
MAKE THE WIDTH OF THE BACK PIECE ABOUT A 1/2"
SMALLER THAN REAR SHELF OPENING

**MAKING
MAKERS**

